

This lesson is about driving in Ireland. We'll look at car vocabulary, common problems with cars and the language we use when we are talking about cars.

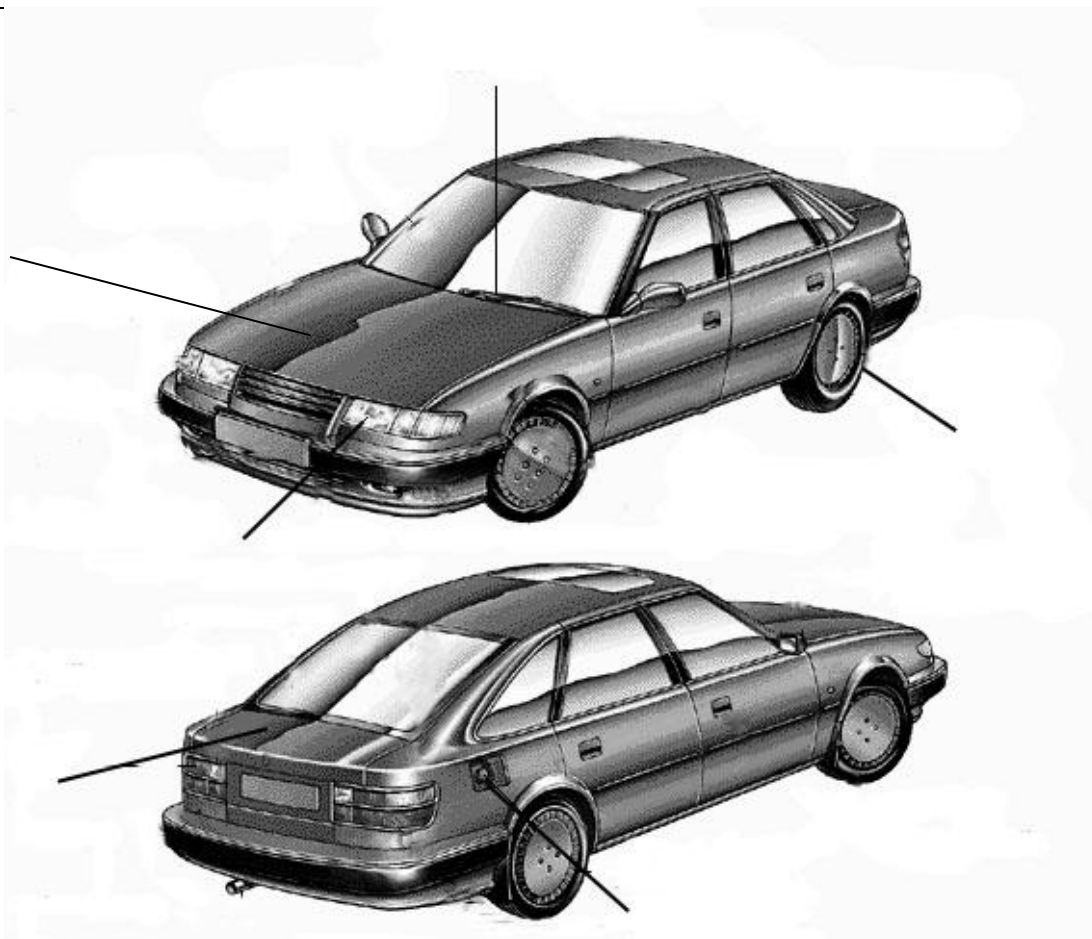
Discussion questions

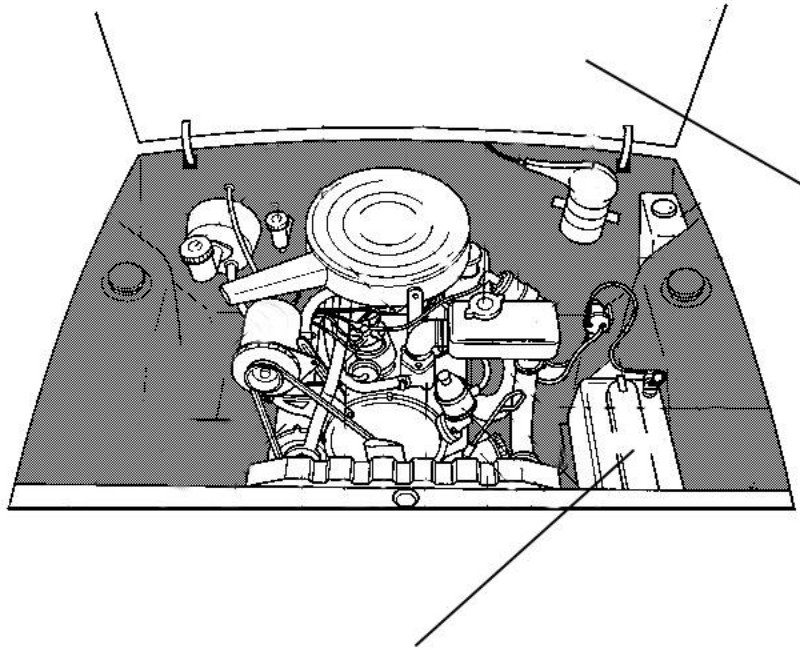
1. Can you drive?
2. How old were you when you learnt to drive
3. Have you ever been in a car accident?
4. Is it acceptable to beep your car horn? On what occasions?
5. Are women better drivers than men?
6. What are the advantages and disadvantages of owning a car?

Exercise One

Can you label the parts of the car?

Boot bonnet windscreen tyre wheel battery engine headlight





Exercise Two

We are going to listen to two conversations. Listen carefully and answer the questions.

1. What is this listening about?
2. How fast was he going?
3. What did the speeding driver do first?
4. What did he do next?
5. Is the driver's car damaged?

Can you complete this newspaper article with the information from the listening?

Dangerous Driving at the Crossroads.

Yesterday evening there was an accident at the crossroads. A car was going _____ mph. The driver overtook a _____ and drove through a _____
He crashed into a new Mercedes. The driver of the Mercedes was unhurt but his car was badly damaged. The car did a u-turn and quickly left the scene of the accident. Mr. John, the owner of the café on the crossroads, called the Garda.
The Garda have interviewed the driver of the Mercedes.

Typical problems with your car (dictation)??

Listen to these people talking about the problems they are having with their cars.

- 1.
- 2.
- 3.
- 4.

- 5.
- 6.
- 7.

Vocabulary Quiz

How much do you know about driving in Ireland?

Choose one of these numbers to answer each question.

17	10	9	5	50
10080	2	4		

1. At what age can you get a provisional licence in Ireland?
2. How long does your full driving licence last?
3. Which cars do **not** need an NCT? Cars less than ___ years old.
4. According to the road safety Authority
 - a. If someone is hit by a car at 60 mph, ___ out of 10 pedestrians will be killed.
 - b. If someone is hit by a car at 50 mph, ___ out of 10 pedestrians will be killed.
5. What is the speed limits in built-up areas-towns or cities?
6. What is the speed limit on all national roads?
7. How much will you be fined if you are speeding?
8. How many penalty points will you get?



Reading posters

What is the message on this leaflet?

What advice do they give?

1. use your v_ _ _ _ _ or m_ _ _ _ _ s_ _ _ _ _
2. If your phone rings, s_ _ _ in a s_ _ _ p_ _ _ _ .

What warnings does it give?

1. You can get ___penalty points and a fine
2. Or a court appearance with ___penalty points and a €__ fine.
3. You are ___ times more likely to be in an accident if you are using your phone.

How dangerous is it?

Put these in order from the least dangerous to the most dangerous.

Driving and talking on a mobile phone

Meeting a boyfriend/girlfriend over the internet

Bungee-jumping

Going to another country alone where you don't speak the language

Walking up a mountain alone

Working on a boat-(for example, a fisherman)

Working as a Gardai

Hitchhiking

Drinking ten pints of beer

You are going to listen to a lady who wants to buy a car. What things do you think about before you buy/choose a car/ what questions do you think she will ask? Use these words to help you?

1. Price
2. Fuel efficient
3. Comfort
4. Style/how it looks/appearance
5. Size-large, small
6. New or used
7. Safety

Listening comprehension questions

1. What is the engine size?
2. What mileage has the car done/
3. Does she like the car/
4. Does she buy the car? Why?

What do you think is the best selling car in Ireland?

Take a look at this page from the road route book and answer these questions.

How far is it from Dublin to Castlebar?

How long do you think it would take to drive to Cork?

What is the distance from Belfast to Dublin?

How far is it from Galway from Castlebar?

It doesn't work.

My washing machine has broken down.

My computer has crashed.

The internet isn't working.